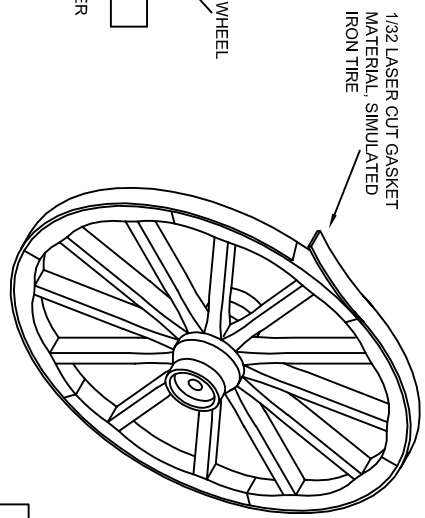
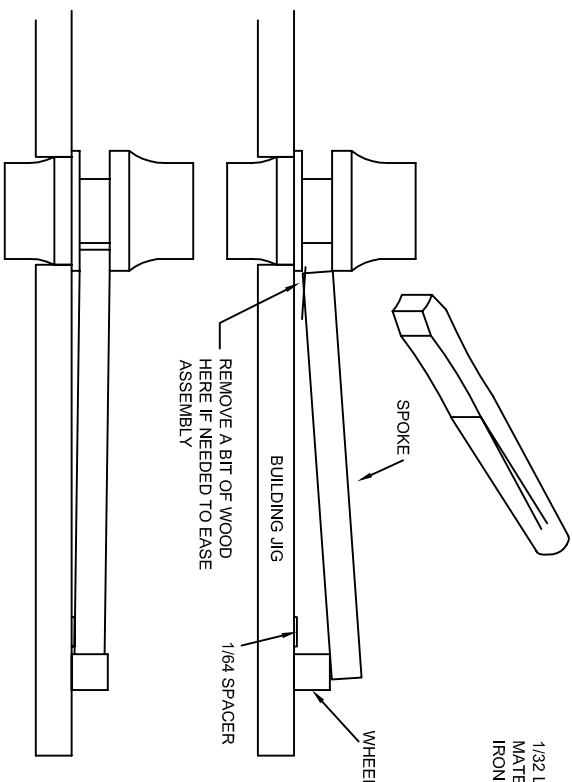


ASSEMBLY JIG, 3/16 PLY, 5 1/2" SQUARE, CENTER HOLE LASER CUT BOARD SC13

LASER CUT SPACERS, 4 CORNERS BOARD SC13

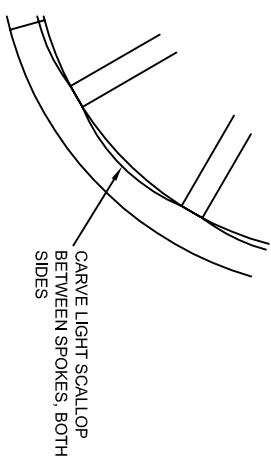
SPOKES: LASER CUT, 5/32 BASSWOOD, BOARD SC12
SHAPE AND INSERT IN HUB, BUTT TO WHEEL

WHEEL: LASER CUT RING 3/16" PLY
LASER ENGRAVED FELLOE JOINT MARKS
SCRAP 1/64 PLY SPACER UNDER SPOKE END
CARVE AND SAND TO OVAL SHAPE THIS END



FOR ADDED DETAIL, LIGHTLY CUT FELLOE JOINT MARKS AROUND WHEEL WITH RAZOR SAW OR KNIFE FIT AND INSERT SPOKES IN HUB, THEN BUTT TO WHEEL

GLUE IN PLACE USING A GAP FILLER CA GLUE THE 1/64 SPACERS WILL CENTER THE SPOKE ON THE WHEEL



CONCORD STAGECOACH

STAGECOACH WHEEL CONSTRUCTION

BOB CRANE 2010

MODEL TRAILWAYS, MODEL EXPO, INC.