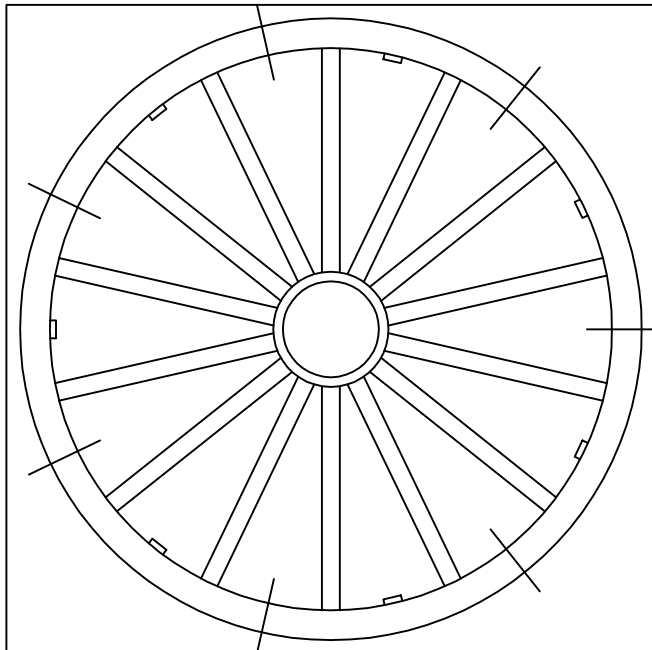


ASSEMBLY PATTERN, CUT OUT, REMOVE CENTER HOLE, AND AFFIX TO JIG WITH A FEW SPOTS OF GLUE

GUNS OF HISTORY

WHEEL CONSTRUCTION PATTERN



ASSEMBLY PATTERN, CUT OUT, REMOVE CENTER HOLE, AND AFFIX TO JIG WITH A FEW SPOTS OF GLUE

GUNS OF HISTORY

WHEEL CONSTRUCTION PATTERN