



8/7/2017

MISS ADVENTURE PARTS LIST MS1830

Note: This is an updated parts list. Please ignore the parts list contained in the instruction manual.

PART #	ITEM	QUANTITY	DESCRIPTION/NOTES
CHROME PLATED CASTINGS 1pk			
WP8101	Strut	1	
WP8102	Vent (small)	1	
WP8103	Vent (large)	2	
WP8104	Steering Wheel	1	
WP8104-A	Steering Wheel handle	1	
WP8105	Fuel cap	1	
WP8107	Cleat	1	

BRASS AND MISCELLANEOUS FITTINGS AND MATERIAL

Note: All fittings and material are Brass unless otherwise noted.

Brass rods, tube and wire are supplied in lengths as noted. Cut to length as required.

WP8106	Bow Cleat	1	
WP29068	Exhaust Outlet	1	
WP604002AM	Hinge	4	
WPC064	Rubber	15"	Cockpit Coaming
WP29147	Photo Etched	1	Instrument panel
WP164K-12	Brass rod 1/8" x 4"	1	Cut to 3"
WP128k12	Brass tube 5/32" x 3"	1	Cut to 2 – 7/8"
WP29138	Brass strip 1/64" x 4" x 5"	1	For servo crank arm and motor bracket
WP502-36	Steel Rod 3/64" x 18"	1	For steering push rod

RUNNING GEAR

WP29144	Brass Coupling 1/8"	1	
WP29144B	Brass Stuffing Box, Propeller Shaft 1/8"	1	
WP29144C	Brass Propeller	1	
WP29148	Mabuchi RS-540 Motor	1	

WOOD STRIPS

Note: All wood is Basswood or Limewood (European Basswood) unless otherwise noted. Wood strips, sheets and blocks are supplied in lengths as noted. Cut to length as required.

STRIPS

WP3631-24	1/8" x 1/8" x 24"	30	
WP3634-24	1/8" x 1/4" x 24"		6
WP3643-24	1/4" x 1/4" x 24"		2
WP3133-30	1/4 x 1/16 x 24"	110	Mahogany

LASER-CUT WOOD PARTS

WP4629-A	<u>1/8" Thick Set</u>	1	
	Floor		1 part
	Kickboard		1 part
	Rudder		2 parts
WP4620-B	<u>3/16" Thick Set</u>	2	
	Deck hatch frames		6 parts
	Hull frame A - H		16 parts
WP4620-C	<u>3/16" Thick Set</u>	1	
	Hull frame I - M		10 parts
WP4620-D	<u>3/16" Thick Set</u>	1	
	Bow keel		1 part
	Stern keels		2 parts
	Upper/lower breasthook		1 part
	Forward hatch support		1 part
	Aft hatch support		1 part
	Dashboard support		1 part
WP4620-E	<u>3/16" Thick Set</u>	1	
	Front seat support		1 part
	Rear seat support		1 part
	Seat		1 part
	Seat back		1 part
	Seat brackets		2 parts
	Dash board		1 part
	Stand name board / feet		2 parts
WP3137-F	1/16 Thick Set – Mahogany Plywood	1	
	Deck margin planks		2 parts

PLANS AND INSTRUCTIONS

WP1830MB	Instruction Manual	1
WPPL1830-A	Plans 1 of 2	1
WPPL1830-A	Plans 2 of 2	1
WPPL1830	Parts List	1

NOTE:

To avoid losing propeller when reversing direction, please use thread-loc on shaft / propeller.
1/4 x 1/16 x 30" mahogany listed on back of instruction book is no longer available.
1/4 x 1/16 x 24" is now furnished in kit. Quantity is 110

Instruction book

Page 4 – Fig 2-1 Lower breast hook is not the full width of frame A as shown on drawing.
Fig 3-1 & Fig 3-2 Chine stringer should extend all the way to the stem.

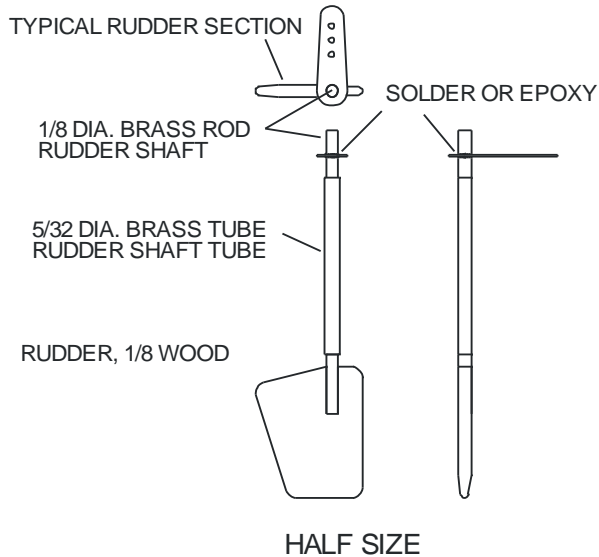
Miss Adventure

Supplementary Instruction Sheet Bob Crane, 2008

SERVO CRANK ARM
1/64 X 5/16 BRASS
FULL SIZE



DRILL 1/8 DIA DRILL 1/16 DIA

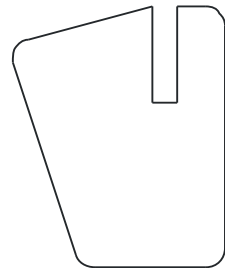


RUDDER ASSEMBLY

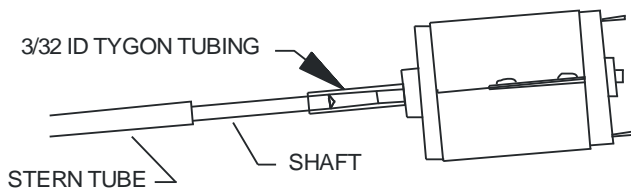
RUDDER, 1/8 WOOD
RUDDER SHAFT, 1/8 DIA BRASS ROD, 3" LENGTH
RUDDER SHAFT TUBE, 5/32 DIA BRASS TUBE, 1 7/8" LENGTH
SERVO CRANK ARM, MAKE FROM 1/64 X 5/16 BRASS FLAT BAR

CARVE, SAND AND FILE RUDDER TO STREAMLINE SHAPE SHOWN. REMOVE CHAR FROM SLOT AND EPOXY RUDDER SHAFT TO RUDDER. FILL AND FAIR JOINT AS DESIRED. COAT RUDDER WITH EPOXY FOR STRENGTH AND WATERPROOFING. USE FULL SIZE TEMPLATE OF SERVO CRANK ARM AND DRILL THE 1/8 DIA AND 1/16 DIA HOLES IN BRASS STRIP. IT IS BEST TO SECURELY CLAMP THE BRASS TO A SCRAP OF WOOD WHEN DRILLING. CUT ARM TO LENGTH AND SHAPE AS SHOWN WITH FILES.

SLIP THE 5/32 DIA TUBE OVER THE RUDDER SHAFT. SOLDER OR EPOXY THE ARM TO THE RUDDER SHAFT AT A RIGHT ANGLE TO THE RUDDER. LOCATE THE ARM AT AN APPROPRIATE HEIGHT FOR THE SERVO LINKAGE USED.



RUDDER, 1/8 WOOD
SHOWN FULL SIZE



MOTOR AND SHAFT COUPLER

COUPLER, CUT FROM 3/32 ID TYGON TUBING
ESTABLISH LENGTH TO SUIT YOUR INSTALLATION
PUSH TUBING ONTO MOTOR SHAFT, THEN USE
TO HELP ALIGN PROP SHAFT AND STERN TUBE DURING
INSTALLATION.

HALF SIZE

Tygon Tubing substituted with
WP29144 (Brass Coupling 1/8")

